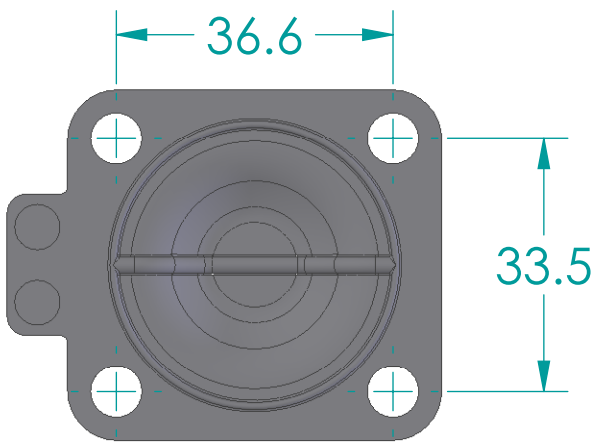
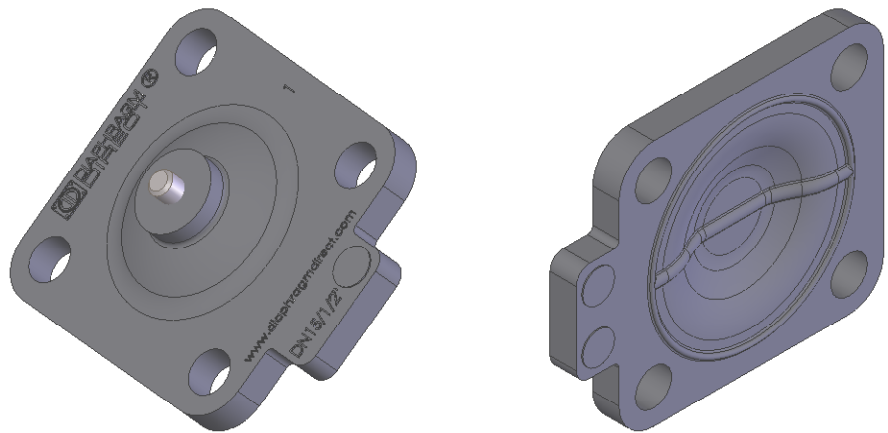
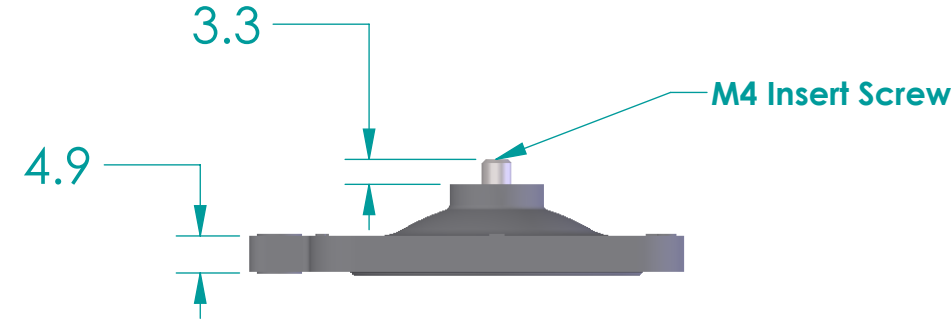
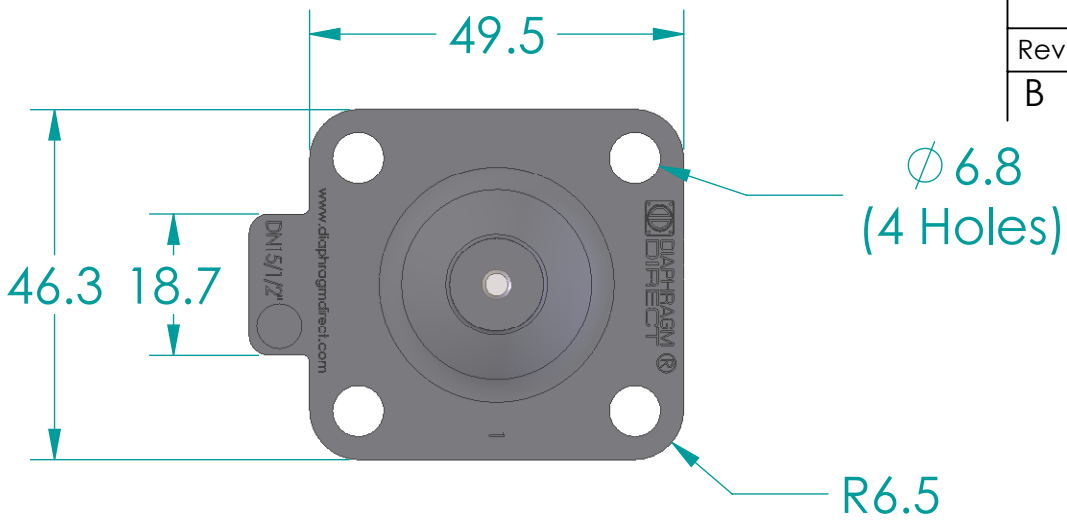


### Revision History

Rev	Description	Date	Approved
B	OEM Part BUTYL (IIR)DA015B1	27/02/22	JB



Replacement Diaphragm for:-  
 OEM PART = DA015B1  
 USED ON 1/2" (DN15) Diaphragm Valve

	Name	Date	
Drawn	M.Mc Keon	27-02-22	
Checked			<b>TITLE</b> <span style="font-size: 2em; color: teal;">DD05-SIIR-T</span>
<b>Material - BUTYL (IIR)</b>			
Complies with CFR 177.2600 and Conforms to USP Class VI Biological Reactivity Tests Section #87 and #88			Size A FOOT PRINT DIMENSIONS
File-			Rev B DD05-SIIR-T-B
SCALE: 1:1		Sheet 1 of 1	

Disclaimer - Diaphragm Direct® does not manufacture, represent, nor sell OEM valves or diaphragms manufactured by any other company. Diaphragm Direct® brand diaphragms are not sponsored by any other manufacturers. Any name, model, part number, brand, image, material or referral is for descriptive purposes only. Diaphragm Direct® brand replacement diaphragms are guaranteed to fit OEM equipment and meet or exceed OEM specifications. Diaphragm Direct® brand replacement diaphragms are covered by the standard Diaphragm Direct® limited product warranty.